



The LMB581 bollard, a Ideal choice for enhancing the aesthetics and creativity of various outdoor spaces! Its innovative design can add a touch of elegance to pathways, gardens, sidewalks, and building entrances

BOLLARD LMB581

Bollard Construction;

The LMB581 bollard features a die-cast aluminum top, an extruded aluminum shaft, and a die-cast base, all mechanically attached. This construction ensures durability and stability

Size: Diameter 6.0

Heights: 20", 36" , 42"

Mounting Details;

Base Plate: Die Cast aluminum

Bolt circle Diameter: 4.375 "(112mm)

Anchor Bolts: 3x 8mmDía x 180mmlong Galv. steel

Lighting Specifications

Lumens: 1200-2000lms. (Delivered)

CCT: 3000-5000K CRI> 70

Lighting Distribution: IES3, IES5

Electrical specifications;

Power Source: LED Driver (Electronic HPF)

Voltage: 120-277V

SURGE SUP: 10kVA

Power: 14W, 24W

Lighting Controls;

0-10 Dimming

Emergency Power;

500 Lumens (Delivered) for 90 minutes (Integral Battery Pack), Optional)

Chromaticity;

High output LEDs come standard 3000K & 4000K (+/- 300K)minimum nominal 70 CRI. Additional CCT emitters are available upon request.

Finish;

Housing is finished with 5 stages of pre-paint procedure prior to Electrostatically Thermoset Powder-Coat application. Standard colors are Bacardi Black, Dk Bronze, Platinum Grey, Galactic Green, and Snow White.

Certification;

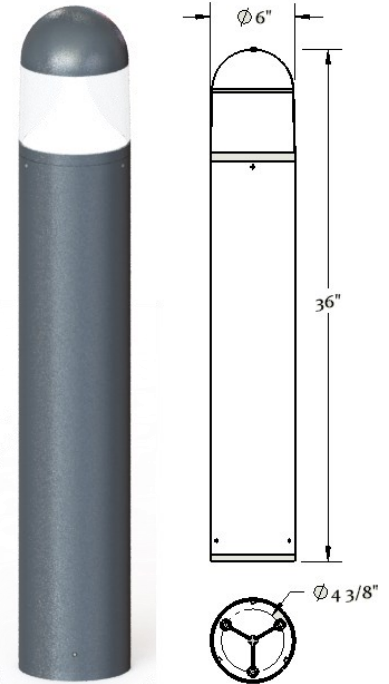
ETL certificate to UL 1598 / CSA C22.2 No 250.0

IP66

IK10

Warranty;

LMB581 Bollard comes with a 5 year Limited warranty on all electronic and electrical components



COMPLY TO
UL1598 / CSA C22.2 No
250.0 IP66 IK10

CONFIGURATION

LMB570-36	T3	3K	L1	LV	PC	DS	GG
Model	Light Distribution	CCT	Lumens (Initial)	Input Voltage	Lighting Control	Options	Finish
LMB560-20	T3-IES3*	3K-3000K	L1 - 1200Lm	LV-120V	LD -0-10V DIM	EP-Emergency Power	BB-Bacardi Black DB-Dk Bronze
LMB560-36	T5-IES5	4K-4000K	L2 - 2000Lm	UV- 120-277V	PC- Photocell	HSS-House Side	PG-Platinum Grey
LMB560-42	* HSS	5K-5000K				Shield for IES3	GG -Galactic Green SW-Snow white